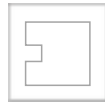
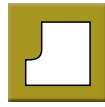


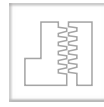
NOVA Routing - CNC Machines



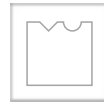
Grooving & Sizing



Profiling & Chamfering



Jointing & Rebating

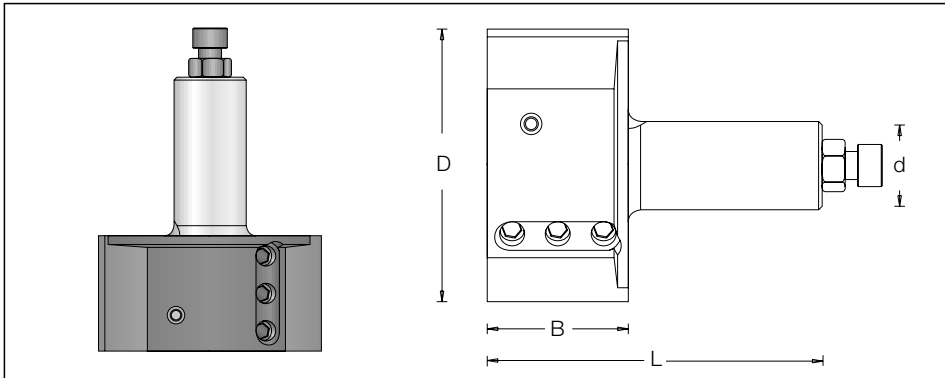


Carving



Clamping Systems & Adapters

Multi Profile Router Cutter



$\varnothing D$	Code No.	B	L	$\varnothing d$	n
80	856 002 0	40	100	25	18,000

! Also available with 20mm diameter shank.

Spare Parts:



Special profile



Wedge
199 022 0
40x13.5x8



Supporting plate
199 110 0
40x26x4



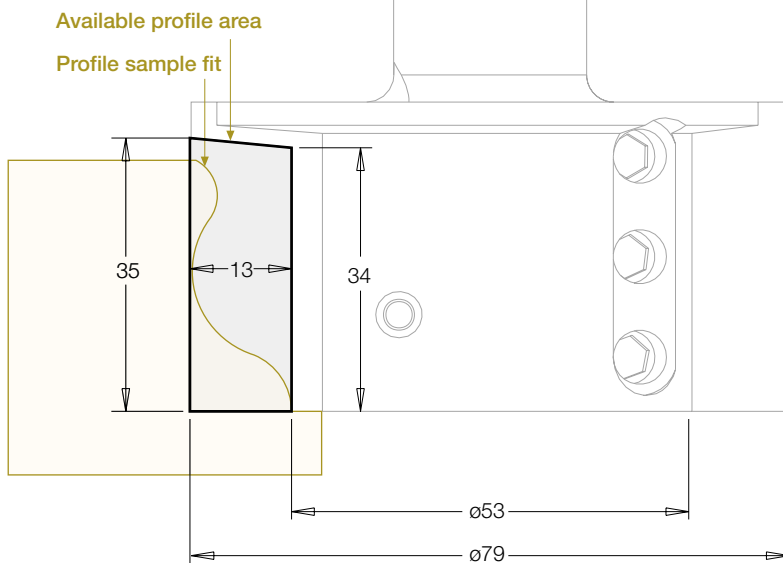
Allen screw
193 040 0
M8x10



Allen key
194 003 6
S-4

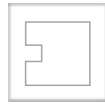
The router will be supplied with knives grinded according to customer specification that fit into the marked area.

For every new profile, 2 supporting plates need to be ordered.

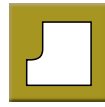


Scale - 1:1

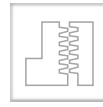
NOVA Routing - CNC Machines



Grooving & Sizing



Profiling & Chamfering



Jointing & Rebating

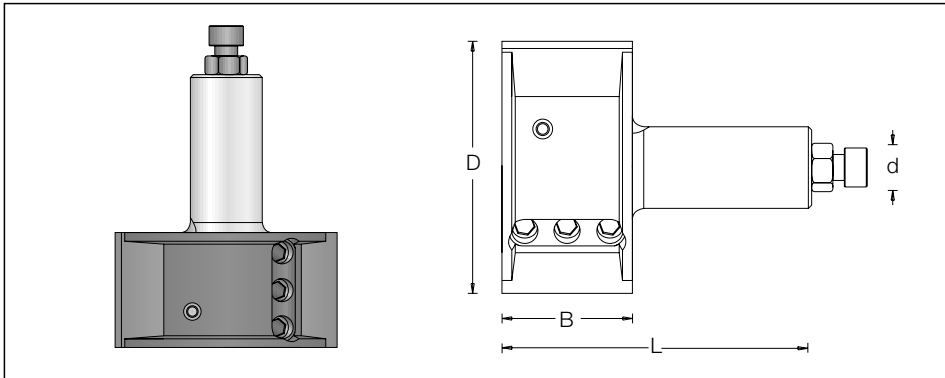


Carving



Clamping Systems & Adapters

Multi Profile Router Cutter



$\varnothing D$	Code No.	B	L	$\varnothing d$	n
80	856 001 0	40	100	25	18,000

! Also available with 20mm diameter shank.

Spare Parts:



Special profile



Wedge
199 022 0
40x15.5x8



Supporting plate
199 110 0
40x26x4



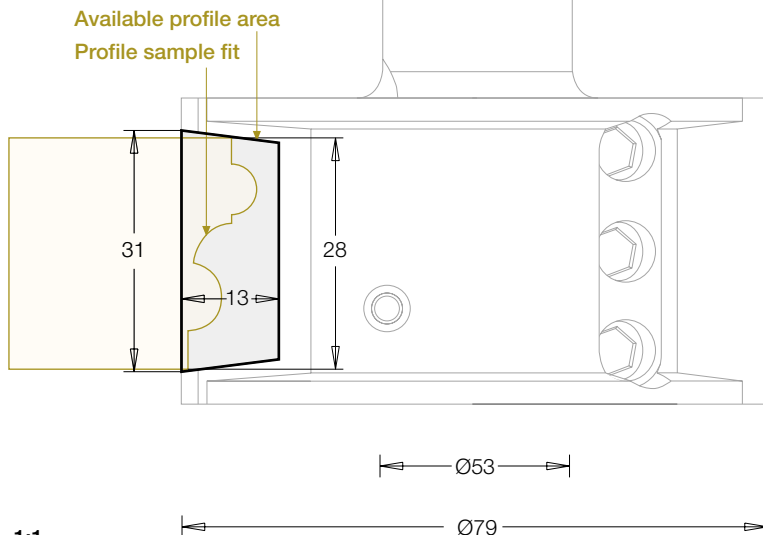
Allen screw
193 026 6
M8x10



Allen key
194 015 0
S4

The router will be supplied with knives grinded according to customer specification that fit into the marked area.

For every new profile, 2 supporting plates need to be ordered.



Scale - 1:1