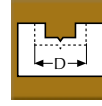
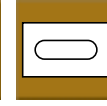


CNC &  
Automatic  
Machines



Multi  
Purpose  
Boring

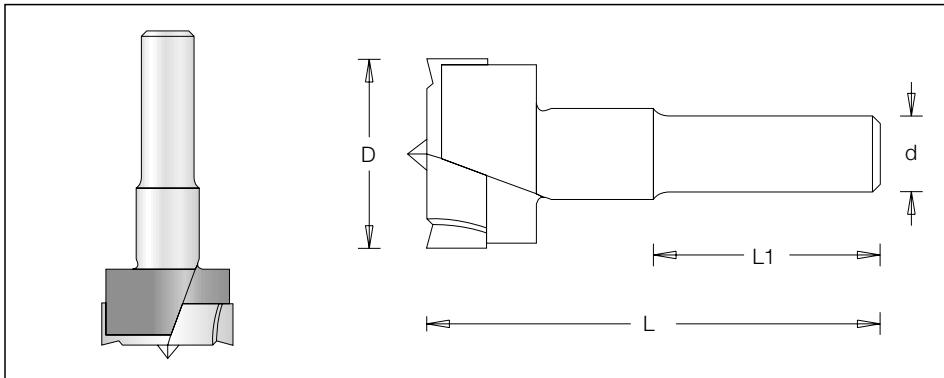


Slot  
Mortising



Counter  
Sinking &  
Plug maker

## 2034 Cylinder Boring Bit For Router Machine

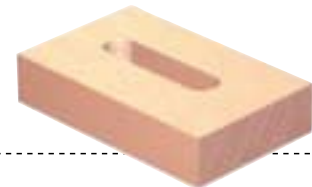
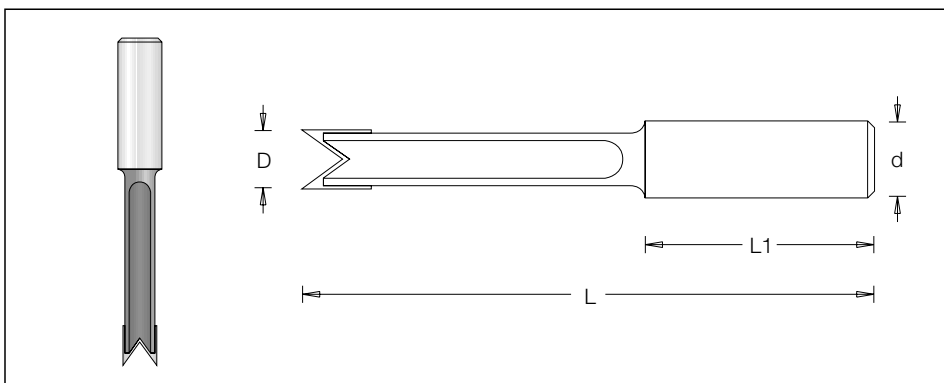


øD	Code No.	L1	L	ød
25	2034 41 5	30	60	8
25	2034 41 9	30	60	12
30	2034 46 5	30	60	8
30	2034 46 9	30	60	12
35	2034 51 5	30	60	8
35	2034 51 9	30	60	12



Specially designed drills for high rotation speed.  
Suitable for covered board and natural wood.

## 204 W Reciprocating Slot Mortise Bit



øD	Code No.	L1	L	ød
8	204 001 8	40	100	13
10	204 007 8	40	100	13
12	204 013 8	40	120	13
14	204 019 8	40	120	13
16	204 025 8	40	120	13
18	204 031 8	40	120	13



With two flutes, both for right or left oscillating motion for tearfree milling and smooth slots  
in soft and hard wood.