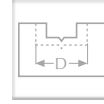




CNC & Automatic Machines



Multi Purpose Boring

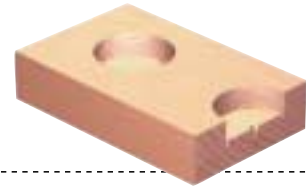
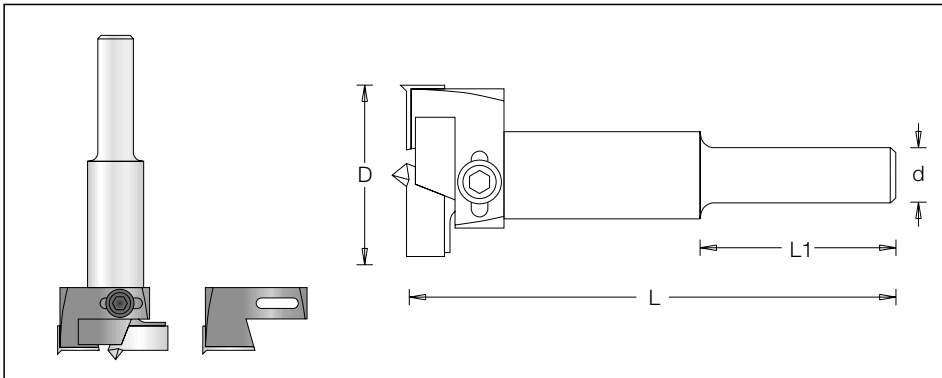


Slot Mortising



Counter Sinking & Plug maker

## 203 BM - Adjustable Cylinder Boring Bit



	øD	Code No.	L1	L	ød
Complete	30.0-60.0	203 501 7	35	90	10

**!** With centering point two scorers, one fixed and one adjustable. Supplied with adjustable knife for range 30-45 mm. Additional knife for the 45-60 mm range and matching hexagon key.



Knife  
#203 512 0  
30-45



Knife  
#203 520 0  
45-60

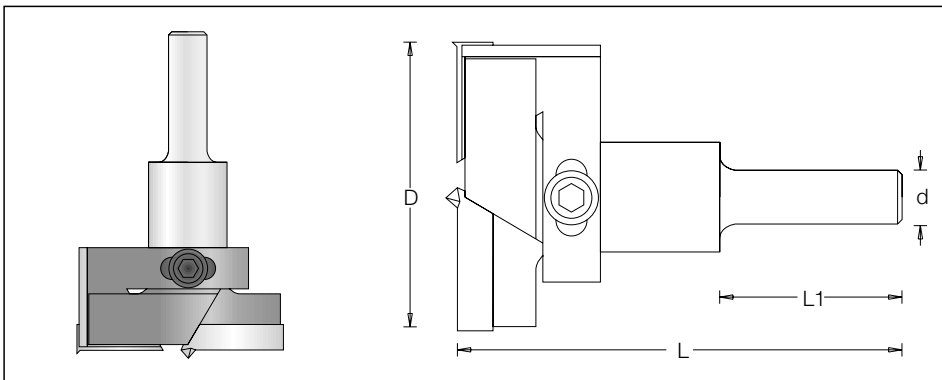


Allen screw  
#193 013 0  
4.8x16



Allen key  
#194 010 0  
S4

## 203 BM - Adjustable Cylinder Boring Bit



	øD	Code No.	L1	L	ød
Complete	60.0-80.0	203 504 8	40	100	12.7

**!** With centering point two scorers, one fixed and one adjustable covering the range of 60-80 mm. Supplied with matching hexagonal key.

### Spare Parts:



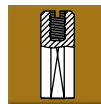
Knife  
#203 525 0  
60-80



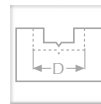
Allen screw  
#193 010 0  
6.3x19



Allen key  
#194 007 0  
S5



CNC &  
Automatic  
Machines



Multi  
Purpose  
Boring

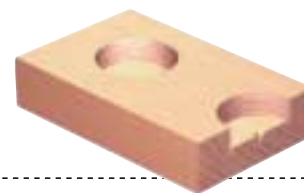
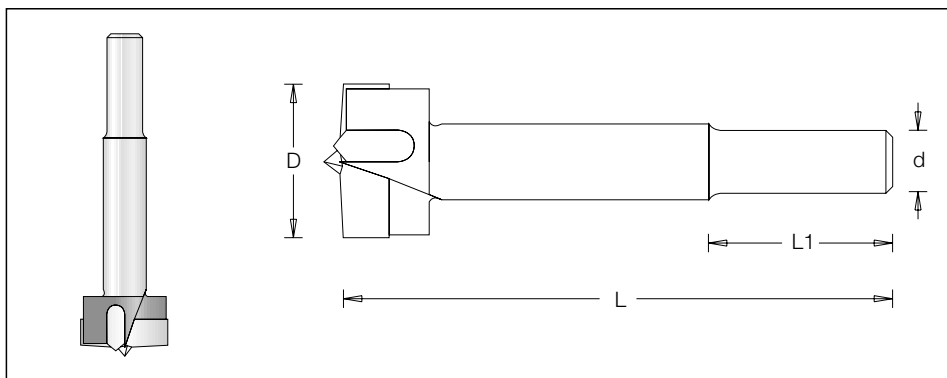


Slot  
Mortising

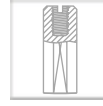


Counter  
Sinking &  
Plug maker

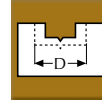
## 203 B Cylinder Boring Bit



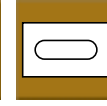
$\varnothing D$	Code No.	L1	L	$\varnothing d$
8	203 308 7	30	90	10
10	203 310 7	30	90	10
11	203 311 7	30	90	10
12	203 312 7	30	90	10
13	203 313 7	30	90	10
14	203 314 7	30	90	10
15	203 315 7	30	90	10
16	203 316 7	30	90	10
17	203 317 7	30	90	10
18	203 318 7	30	90	10
19	203 319 7	30	90	10
20	203 320 7	30	90	10
21	203 321 7	30	90	10
22	203 322 7	30	90	10
23	203 323 7	30	90	10
24	203 324 7	30	90	10
25	203 325 7	30	90	10
26	203 326 7	30	90	10
27	203 327 7	30	90	10
28	203 328 7	30	90	10
29	203 329 7	30	90	10
30	203 330 7	30	90	10
31	203 331 7	30	90	10
32	203 332 7	30	90	10
33	203 333 7	30	90	10
34	203 334 7	30	90	10
35	203 335 7	30	90	10
36	203 336 7	30	90	10
37	203 337 7	30	90	10
38	203 338 7	30	90	10
39	203 339 7	30	90	10
40	203 340 7	30	90	10
42	203 342 7	30	90	10
44	203 344 7	30	90	10
45	203 345 7	30	90	10
46	203 346 7	30	90	10
48	203 348 7	30	90	10
50	203 350 7	30	90	10
55	203 355 7	30	90	10
58	203 358 7	30	90	10
60	203 360 7	30	90	10



CNC &  
Automatic  
Machines



Multi  
Purpose  
Boring

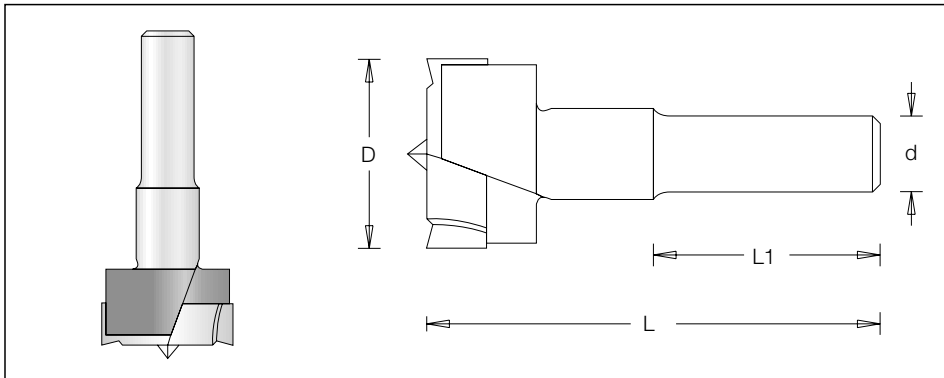


Slot  
Mortising



Counter  
Sinking &  
Plug maker

## 2034 Cylinder Boring Bit For Router Machine

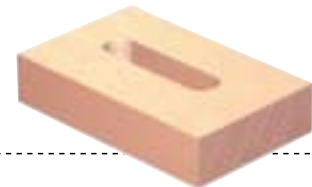
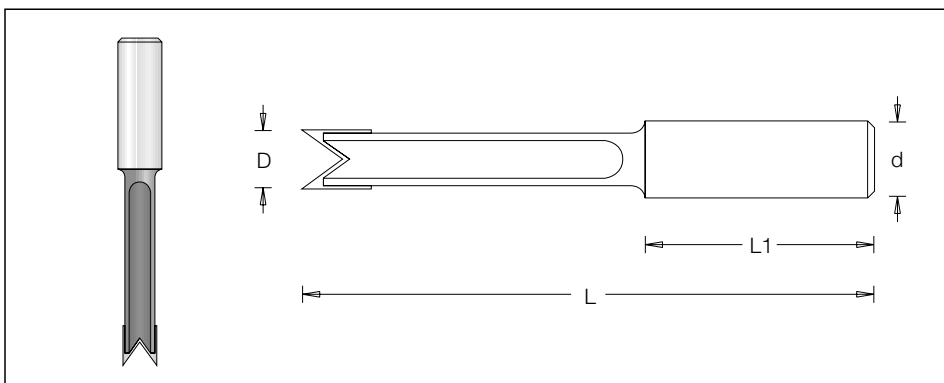


øD	Code No.	L1	L	ød
25	2034 41 5	30	60	8
25	2034 41 9	30	60	12
30	2034 46 5	30	60	8
30	2034 46 9	30	60	12
35	2034 51 5	30	60	8
35	2034 51 9	30	60	12



Specially designed drills for high rotation speed.  
Suitable for covered board and natural wood.

## 204 W Reciprocating Slot Mortise Bit



øD	Code No.	L1	L	ød
8	204 001 8	40	100	13
10	204 007 8	40	100	13
12	204 013 8	40	120	13
14	204 019 8	40	120	13
16	204 025 8	40	120	13
18	204 031 8	40	120	13



With two flutes, both for right or left oscillating motion for tearfree milling and smooth slots  
in soft and hard wood.