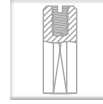
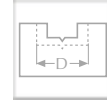




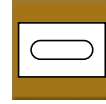
# NOVA Drilling



CNC &  
Automatic  
Machines



Multi  
Purpose  
Boring

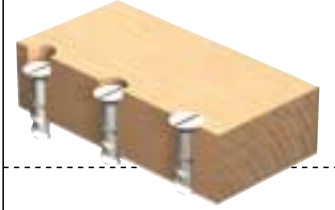
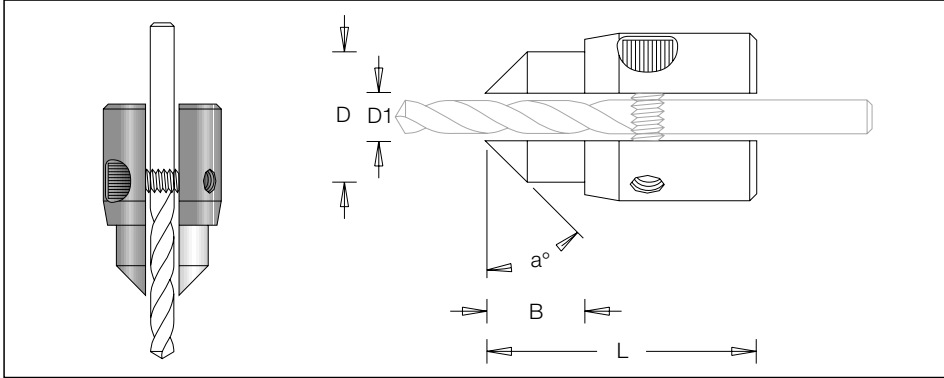


**Slot  
Mortising**



Counter  
Sinking &  
Plug maker

## Dicount™ - Multi diameter Countersink



| $\phi D1$ | $\phi D$  | a   | Code No.  | B  | L  |
|-----------|-----------|-----|-----------|----|----|
| 3.0-7.2   | 11.3-15.3 | 45° | 202 000 0 | 12 | 32 |

**!** Enables drilling and countersinking in one single pass.  
Assembled on spiral drills with diameter from 3.0 to 7.2 mm  
(1/8" to 9/32").

### Spare Parts:

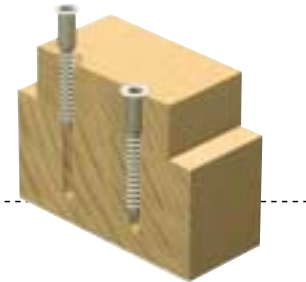
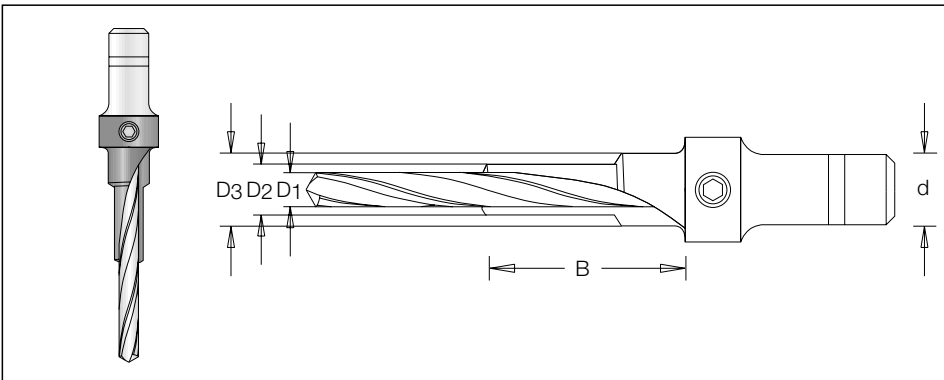


Allen screw  
#193 046 3  
M4x12



Allen key  
#194 003 0  
S3

## 3 Steps Drill Bits

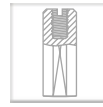


| $\phi D1$ | $\phi D2$ | $\phi D3$ | Code No.  | B  | L  | $\phi d$ |
|-----------|-----------|-----------|-----------|----|----|----------|
| 3.5       | 5         | 7         | 202 605 7 | 30 | 60 | 10       |
| 5.0       | 7         | 10        | 202 610 7 | 30 | 60 | 10       |

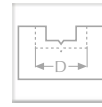
**!** For Connecting screws.  
2 steps steel made countersink, surface treated for very high hardness.  
 $\alpha$  HSS Slow spiral drill.



# NOVA Drilling



CNC &  
Automatic  
Machines



Multi  
Purpose  
Boring

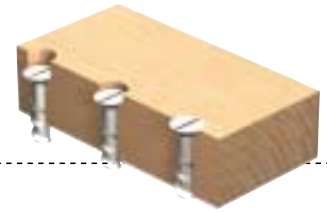
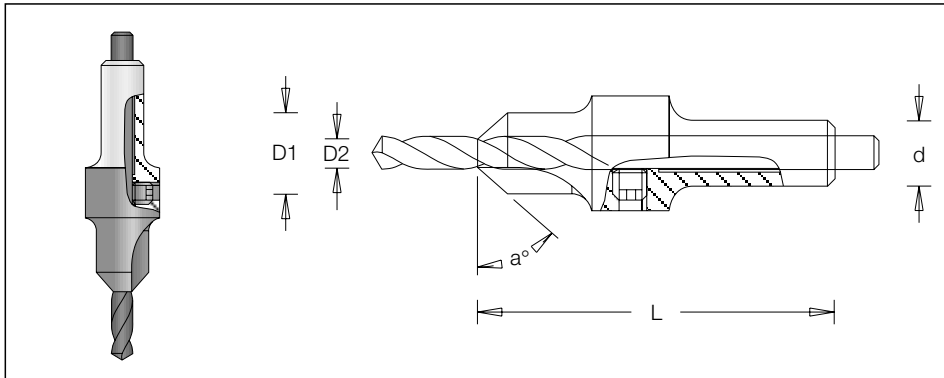


Slot  
Mortising



Counter  
Sinking &  
Plug maker

## 2021 - Countersink H.S.S. Drill

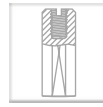


| øD1  | øD2 | a   | Code No.  | L  | ød   |
|------|-----|-----|-----------|----|------|
| 8.0  | 2.4 | 41° | 2021 25 0 | 43 | 8.0  |
| 8.0  | 3.2 | 41° | 2021 28 0 | 43 | 8.0  |
| 9.5  | 3.2 | 41° | 2021 30 0 | 43 | 8.0  |
| 12.7 | 3.2 | 41° | 2021 33 0 | 43 | 8.0  |
| 10.0 | 3.6 | 41° | 2021 35 0 | 43 | 8.0  |
| 10.0 | 4.0 | 41° | 2021 40 0 | 43 | 8.0  |
| 10.0 | 4.4 | 41° | 2021 45 0 | 43 | 8.0  |
| 11.1 | 4.8 | 41° | 2021 50 0 | 47 | 9.5  |
| 12.7 | 4.8 | 41° | 2021 55 0 | 47 | 9.5  |
| 12.0 | 5.6 | 41° | 2021 57 0 | 47 | 9.5  |
| 12.7 | 5.6 | 41° | 2021 53 0 | 47 | 9.5  |
| 12.7 | 6.0 | 41° | 2021 60 0 | 47 | 9.5  |
| 12.7 | 6.3 | 41° | 2021 65 0 | 47 | 10.0 |
| 13.5 | 6.3 | 41° | 2021 63 0 | 47 | 10.0 |

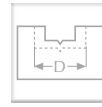
### Spare Parts:



Allen screw  
#193 046 3  
NC 10-24  
L=4.8



CNC &  
Automatic  
Machines



Multi  
Purpose  
Boring

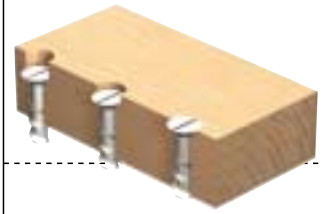
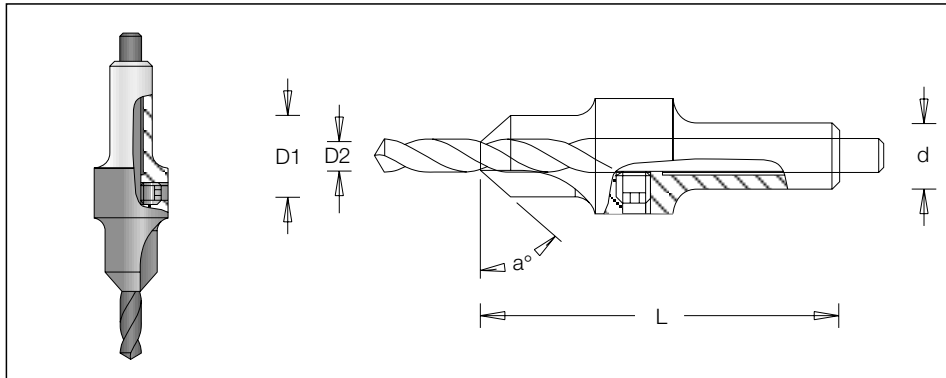


Slot  
Mortising



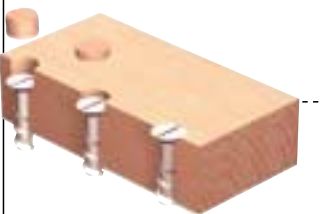
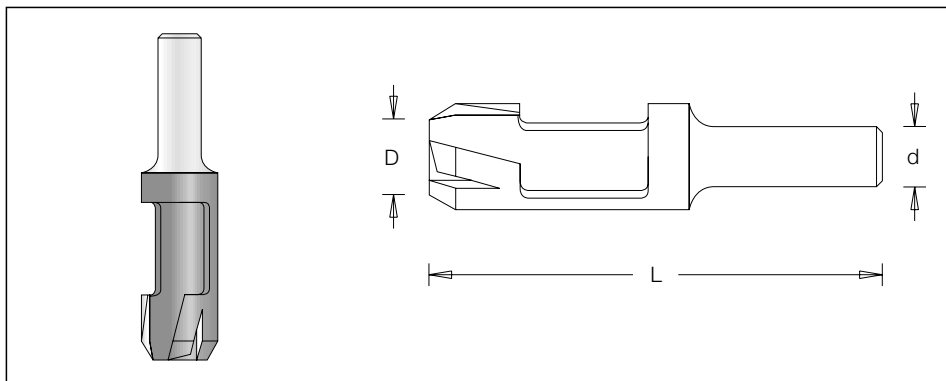
Counter  
Sinking &  
Plug maker

## Countersink & H.S.S. Drill



| $\varnothing D1$ | $\varnothing D2$ | a   | Code No.  | L  | $\varnothing d$ |
|------------------|------------------|-----|-----------|----|-----------------|
| 10               | 3.0              | 45° | 2022 30 5 | 48 | 8               |
| 10               | 3.2              | 41° | 2022 32 5 | 48 | 8               |
| 10               | 3.5              | 45° | 2022 35 5 | 48 | 8               |
| 10               | 3.6              | 41° | 2022 36 5 | 48 | 8               |
| 10               | 4.0              | 45° | 2022 40 5 | 48 | 8               |
| 10               | 4.4              | 41° | 2022 45 5 | 48 | 8               |
| 10               | 5.0              | 45° | 2022 50 5 | 48 | 8               |

## Plug Maker



| $\varnothing D$ | Code No.  | L  | $\varnothing d$ |
|-----------------|-----------|----|-----------------|
| 10.0            | 2034 01 5 | 60 | 8               |
| 12.7            | 2034 02 7 | 60 | 10              |
| 16.0            | 2034 03 7 | 76 | 10              |
| 19.0            | 2034 04 7 | 76 | 10              |

## SET Countersink & Plug Maker

| $\varnothing D$ | Code No.  |
|-----------------|-----------|
| 3.5             | 202 235 5 |
| 4.0             | 202 240 5 |
| 5.0             | 202 250 5 |

**⚠** Set includes countersinks and plug maker with which it is possible to produce wooden caps from the same wood being worked, in order to conceal the screw.