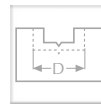
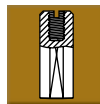




NOVA Drilling



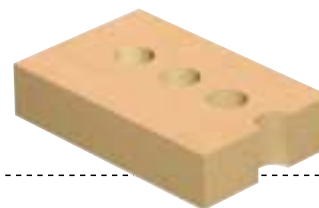
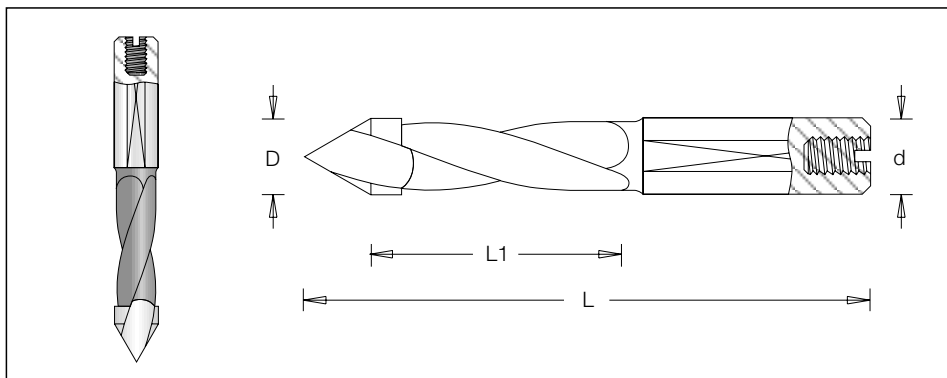
CNC & Automatic Machines

Multi Purpose Boring

Slot Mortising

Counter Sinking & Plug maker

201 Bk - Through Hole Drilling



øD	Code No.		L1	L	ød
	Right	Left			
4	201 600 7	201 601 7	25	57.5	10x25
5	201 604 7	201 605 7	25	57.5	10x25
6	201 606 7	201 607 7	25	57.5	10x25
7	201 650 7	201 651 7	25	57.5	10x25
8	201 608 7	201 609 7	25	57.5	10x25
9	201 656 7	201 657 7	25	57.5	10x25
10	201 612 7	201 613 7	25	57.5	10x25

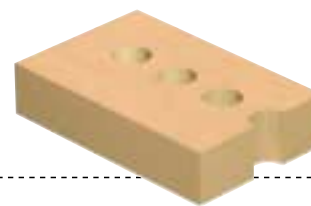
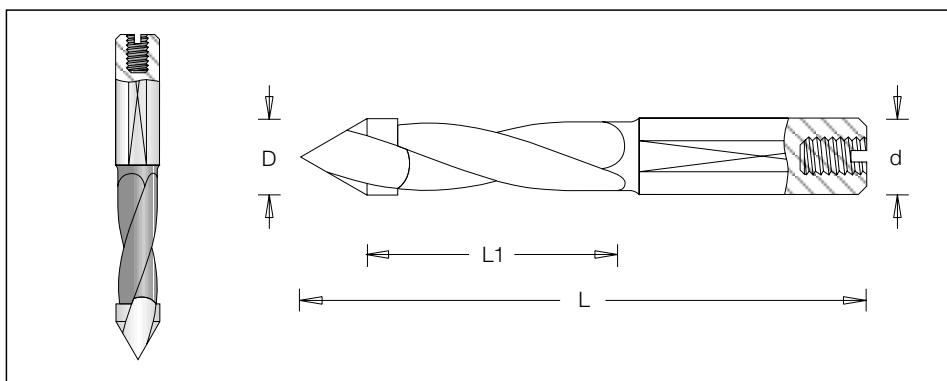


Screw

#193 000 0

M5x10

201 Bk - Through Hole Drilling



øD	Code No.		L1	L	ød
	Right	Left			
5	201 614 7	201 615 7	40	70	10x25
6	201 616 7	201 617 7	40	70	10x25
7	201 661 7	201 662 7	40	70	10x25
8	201 618 7	201 619 7	40	70	10x25
9	201 667 7	201 668 7	40	70	10x25
10	201 622 7	201 623 7	40	70	10x25



Screw

#193 000 0

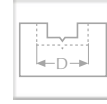
M4x10



NOVA Drilling



CNC & Automatic Machines



Multi Purpose Boring

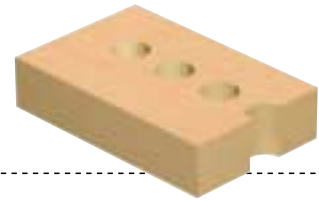
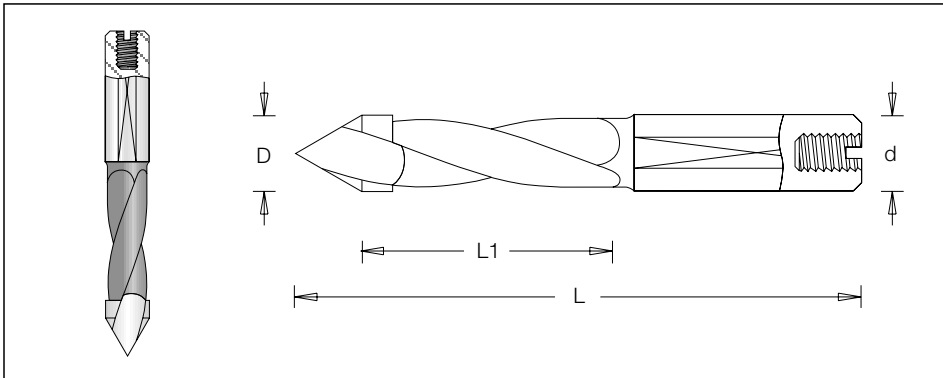


Slot Mortising



Counter Sinking & Plug maker

201 Bk - Through Hole Drilling

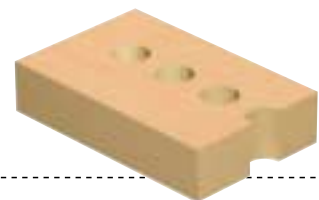
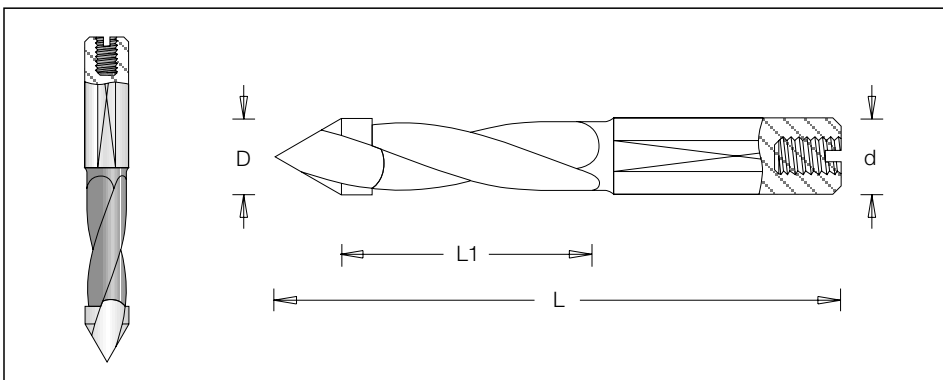


øD	Code No.		L1	L	ød
	Right	Left			
5	201 624 7	201 625 7	45	77	10x25
6	201 626 7	201 627 7	45	77	10x25
7	201 631 7	201 632 7	45	77	10x25
8	201 628 7	201 629 7	45	77	10x25
9	201 637 7	201 638 7	45	77	10x25
10	201 641 7	201 642 7	45	77	10x25



Screw
#193 000 0
M5x10

201 Bk - Through Hole Drilling 8mm Shank



øD	Code No.		L1	L	ød
	Right	Left			
5	201 604 5	201 605 5	25	55.5	8x20
8	201 608 5	201 609 5	25	55.5	8x20
5	201 614 5	201 615 5	35	67.0	8x20
8	201 618 5	201 619 5	35	67.0	8x20



Screw
#193 000 0
M5x10