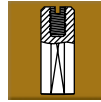
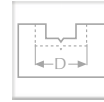




NOVA Drilling



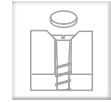
CNC &
Automatic
Machines



Multi
Purpose
Boring

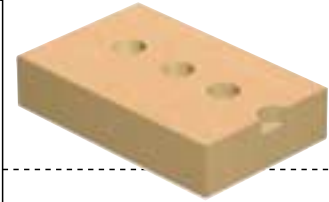
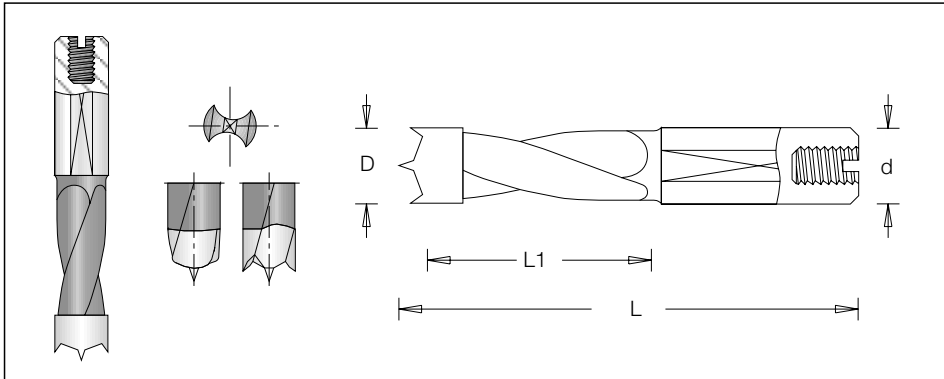


Slot
Mortising



Counter
Sinking &
Plug maker

Ditec™ Dowel Drill



øD	Code No.		L1	L	ød
	Right	Left			
5	201 705 7	201 706 7	27	57.5	10x25
8	201 713 7	201 716 7	27	57.5	10x25
10	201 722 7	201 723 7	27	57.5	10x25
5	201 731 7	201 734 7	35	70.0	10x25
8	201 743 7	201 746 7	35	70.0	10x25
10	201 745 7	201 748 7	35	70.0	10x25

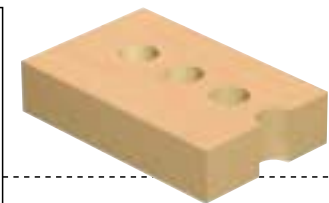
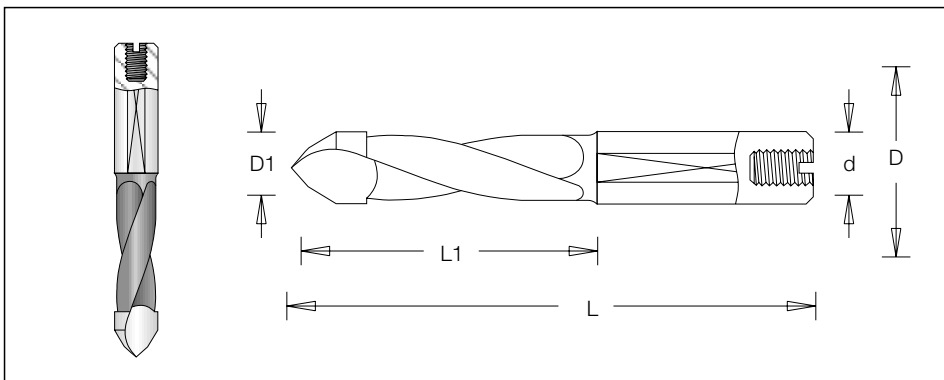


Screw

#193 000 0

M5x10

Ditec™ Through Hole Drilling



øD	Code No.		L1	L	ød
	Right	Left			
5	201 760 7	201 761 7	27	57.5	10x25
8	201 762 7	201 763 7	27	57.5	10x25
10	201 764 7	201 765 7	27	57.5	10x25
5	201 770 7	201 771 7	35	70.0	10x25
8	201 772 7	201 773 7	35	70.0	10x25
10	201 774 7	201 775 7	35	70.0	10x25



Screw

#193 000 0

M5x10