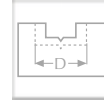


CNC &
Automatic
Machines



Multi
Purpose
Boring

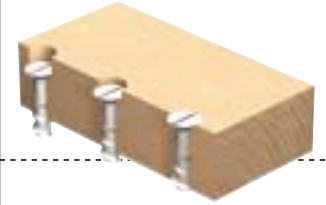
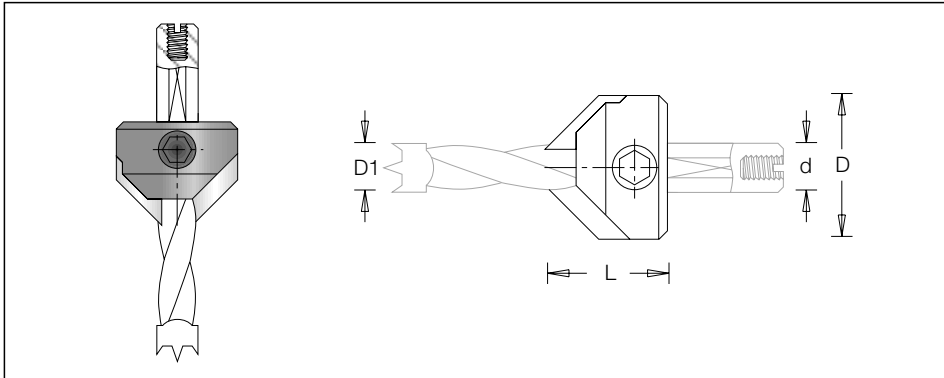


Slot
Mortising




Counter
Sinking &
Plug maker

2022 - Countersink for Dowel Drills



øD1	øD	Code No.		L	ød
		Right	Left		
4	15.6	202 202 0	202 203 0	17.5	10
5	16.0	202 200 0	202 201 0	17.5	10
6	16.0	202 204 0	202 205 0	17.5	10
7	16.0	202 206 0	202 207 0	17.5	10
8	18.0	202 210 0	202 211 0	17.5	10
9	18.0	202 214 0	202 215 0	17.5	10
10	20.0	202 220 0	202 221 0	17.5	10
10	12.0	202 224 0	202 225 0	17.5	10
5-10	15.5	202 226 0 *	202 227 0 *	16.5	10
5-10	20.0	202 230 0 *	202 231 0 *	17.5	10

 * This countersink is assembled on the shank of the drill.
Series of countersinks suitable for dowel drills.



Screw
#193 682 0
M6x10