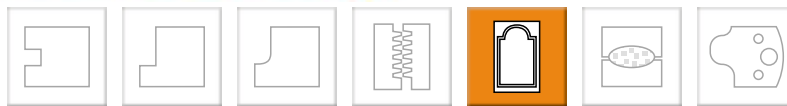
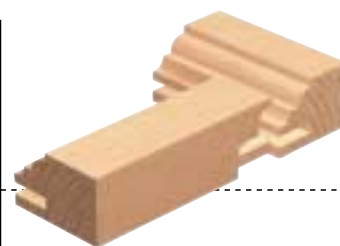
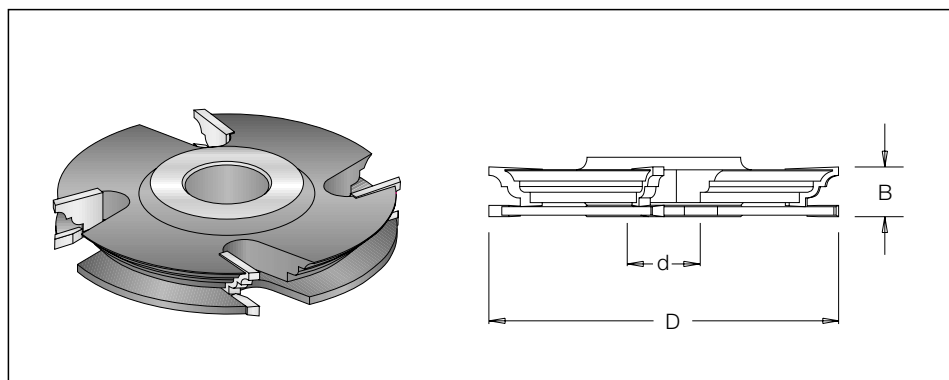


NOVA Cutting



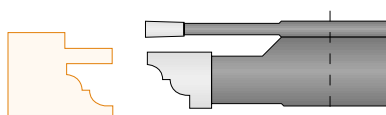
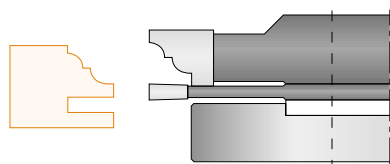
Grooving Rebating Profiling Jointing **Frame & Panel door** Lamello Multi Profile System

Tongue & Groove Cutter



Hand feed

	øD	Code No.	B	ød	n
Complete	125	711 011 1	20	30	6,100 - 10,500
Profile Cutter	125	711 012 1	15	30	6,100 - 10,500
Groove Cutter	125	711 019 1	4	30	6,100 - 10,500



Spare parts:

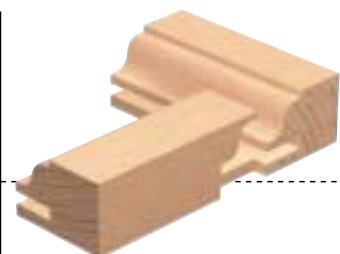
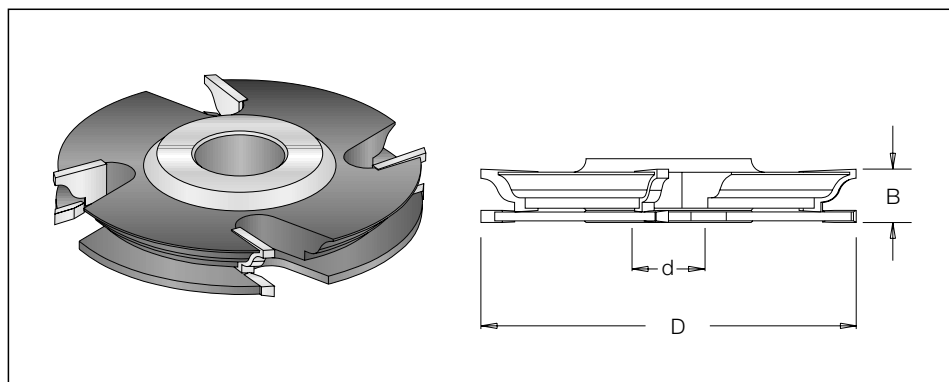


Washer
#4192 737 1
47x4



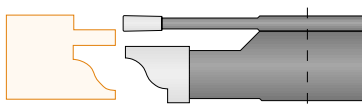
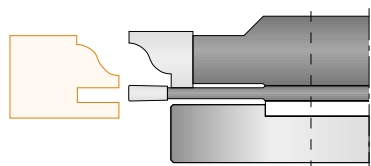
Ball Bearing
#711 016 1
30x103x15

Tongue & Groove Cutter



Hand feed

	øD	Code No.	B	ød	n
Complete	125	711 015 1	20	30	6,100 - 10,500
Profile Cutter	125	711 017 1	15	30	6,100 - 10,500
Groove Cutter	125	711 019 1	4	30	6,100 - 10,500



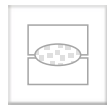
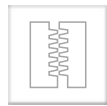
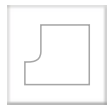
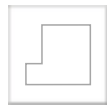
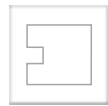
Spare parts:



Washer
#192 737 1
47x10



Ball Bearing
#711 016 1
30x103x15



Grooving

Rebating

Profiling

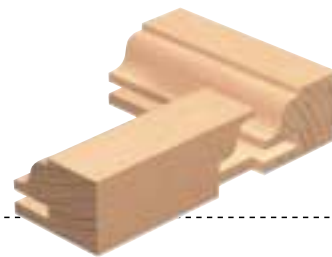
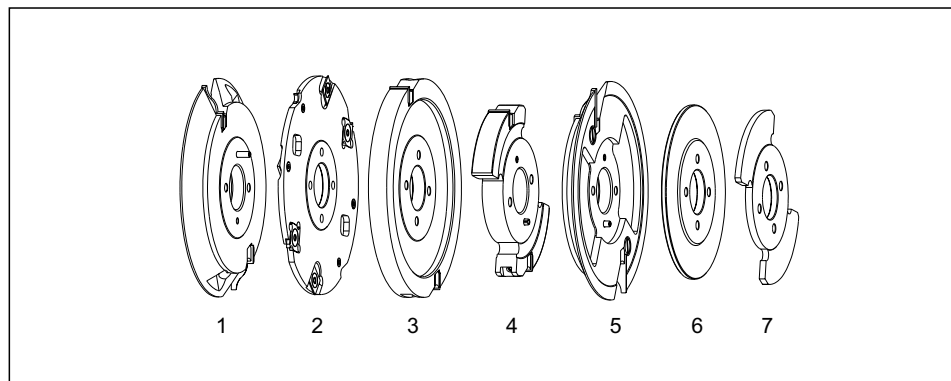
Jointing

Frame & Panel door

Lamello

Multi Profile system

Counter - Profile Cutters Set



Aluminum



EN847-1
EN847-2

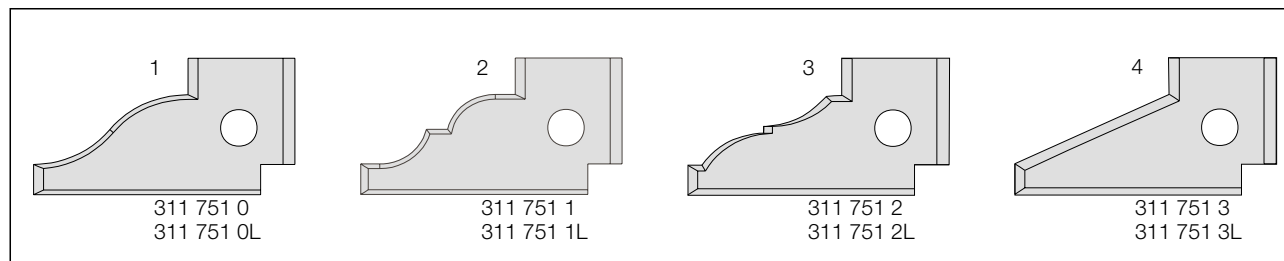


Hand feed

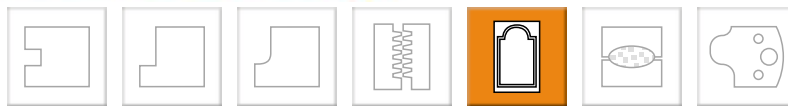
Set No.	øD	Code No.	Cutters in set	B	Profile type	n
Set 1	150	742 020 1	1,2,3,4,2x6,7	20-35	A,B	5,000 - 9,000
Set 2	150	742 021 1	1,2,3,4,5,2x6,2x7	20-35	A,B,C	5,000 - 9,000

Cutter No.	øD	Code No.	B	Profile	ød	n	z
1	150	742 011 1	16	1,2,3,4	30	5,000 - 9,000	2
	150	742 111 1	16	1	30	5,000 - 9,000	2
	150	742 211 1	16	2	30	5,000 - 9,000	2
	150	742 311 1	16	3	30	5,000 - 9,000	2
	150	742 411 1	16	4	30	5,000 - 9,000	2
2	150	742 012 1	5		30	5,000 - 9,000	4
3	150	742 013 1	15		30	5,000 - 9,000	2
4	118	742 014 1	15		30	5,000 - 9,000	2
5	150	742 015 1	16	1,2,3,4 L	30	5,000 - 9,000	2
	150	742 115 1	16	1 L	30	5,000 - 9,000	2
	150	742 215 1	16	2 L	30	5,000 - 9,000	2
	150	742 315 1	16	3 L	30	5,000 - 9,000	2
	150	742 415 1	16	4 L	30	5,000 - 9,000	2
6	118	742 016 1	6		30		
7	118	742 017 1	5		30		

Profiles for Cutters 1 & 5



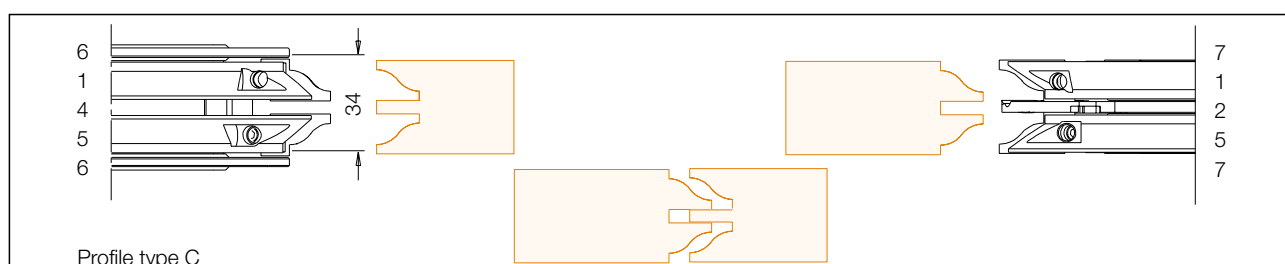
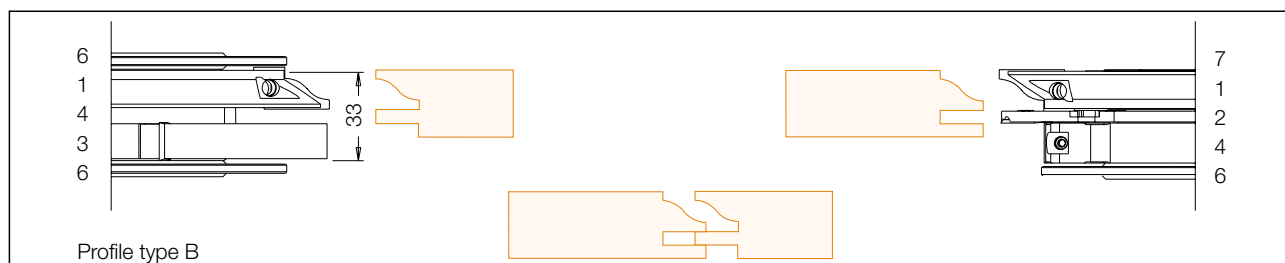
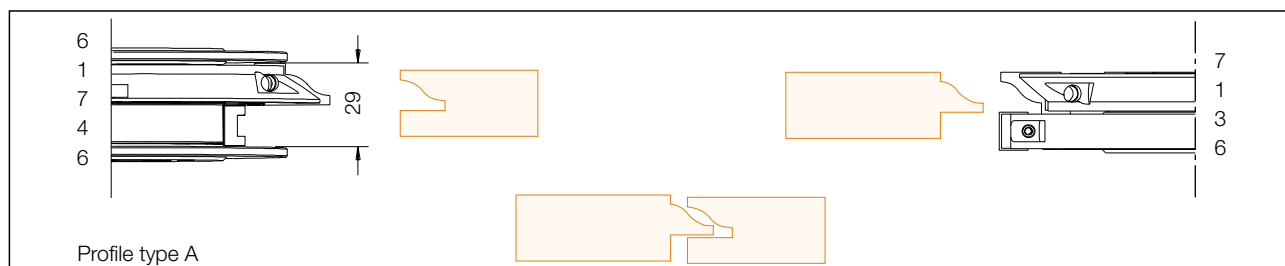
NOVA Cutting



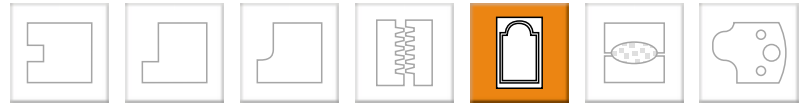
Grooving Rebating Profiling Jointing **Frame & Panel door** Lamello Multi Profile system

Spare parts:

Cutter 1							
	T.C. Blade Profile 1 #311 751 0 15.7x30x2	T.C. Blade Profile 2 #311 751 1 15.7x30x2	T.C. Blade Profile 3 #311 751 2 15.7x30x2	T.C. Blade Profile 4 #311 751 3 15.7x30x2	Wedge #199 038 0 L=13	Allen screw #193 026 5 M6x16	Allen key #194 003 5 S3
Cutter 2							
	T.C. Blade #300 850 4 18x18x2.5	T.C. Blade #300 850 2 14x14x1.2	T.C. Blade Nut #192 350 0 M4x0.5x11.1	T.C. Blade Nut #192 360 0 M4x0.5x9.9	Allen screw #193 030 0 M4x4	Allen key #194 110 0 T9	
Cutter 3							
	T.C. Blade #311 451 2 14.3x12x1.5	Wedge #199 038 5 L=13.5	Allen screw #193 060 0 M5x16	Allen key #194 008 0 S2.5			
Cutter 4							
	T.C. Blade #300 052 7 15x12x1.5	Wedge #199 038 5 L=13.5	Allen screw #193 060 0 M5x16	Allen key #194 008 0 S2.5			
Cutter 5							
	T.C. Blade 1 #311 751 0L 15.7x30x2	T.C. Blade 2 #311 751 1L 15.7x30x2	T.C. Blade 3 #311 751 2L 15.7x30x2	T.C. Blade 4 #311 751 3L 15.7x30x2	Wedge #199 038 0 L=13	Allen screw #193 026 5 M6x16	Allen key #194 003 5 S3

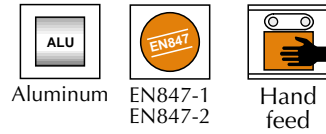
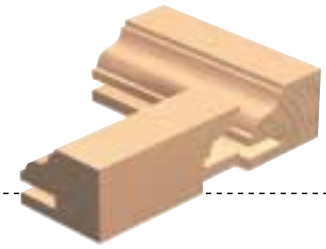
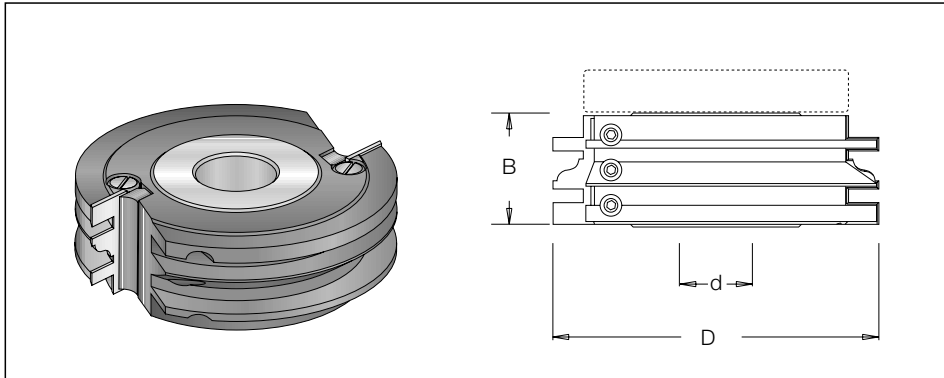


NOVA Cutting



Grooving Rebating Profiling Jointing **Frame & Panel door** Lamello Multi Profile system

Tongue & Groove Cutter



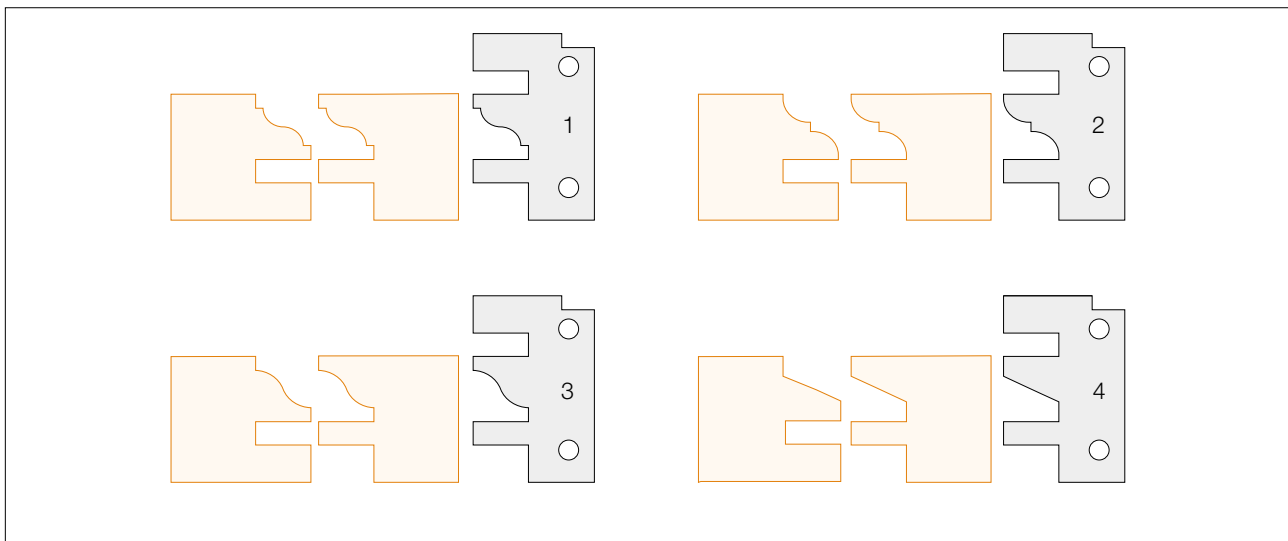
$\varnothing D$	B	Code No.	Profile	$\varnothing d$	n
120	40	742 031 1	1	30	5,000 - 8,400
	40	742 032 1	2	30	5,000 - 8,400
	40	742 033 1	3	30	5,000 - 8,400
	40	742 034 1	4	30	5,000 - 8,400

Can be used with ball bearing 98-30.

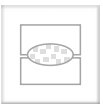
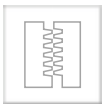
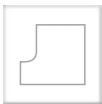
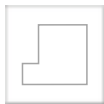
Spare parts:



	T.C. Blade	Wedge	Allen screw	Allen key	Ball Bearing
Profile 1	#310 865 6 40x26x2	#199 042 5 L=38	#193 026 5 M6x16	#194 003 5 S3	#191 520 1 98x30x15
Profile 2	#310 866 6 40x26x2	#199 042 5 L=38	#193 026 5 M6x16	#194 003 5 S3	
Profile 3	#310 867 6 40x26x2	#199 042 5 L=38	#193 026 5 M6x16	#194 003 5 S3	
Profile 4	#310 868 6 40x26x2	#199 042 5 L=38	#193 026 5 M6x16	#194 003 5 S3	



NOVA Cutting



Grooving

Rebating

Profiling

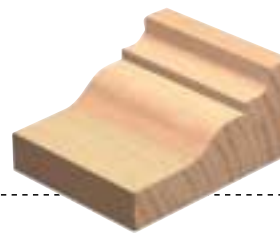
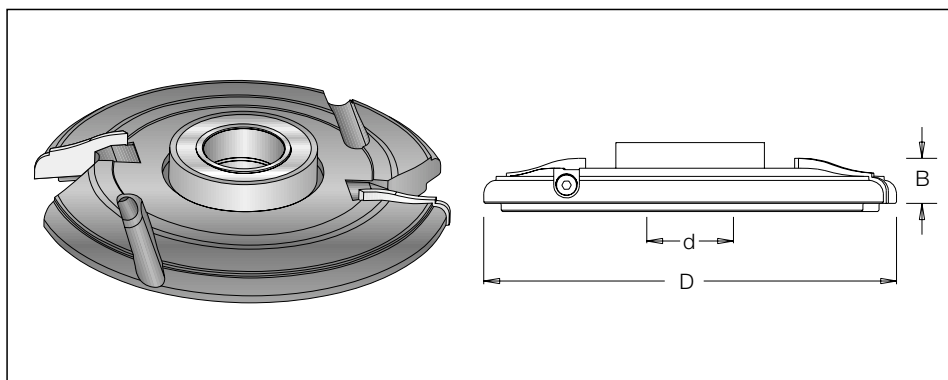
Jointing

Frame & Panel door

Lamello

Multi Profile system

Raised Panel



$\varnothing D$	B	Code No.	Profile	$\varnothing d$	n
156	17	742 027 1	1	30	9,000
	17	742 037 1	2	30	9,000
	17	742 047 1	3	30	9,000
Set	17	742 007 1	1+2+3	30	9,000

Spare parts:



T.C. Blade Profile 1
#310 831 0
17x35x2



T.C. Blade Profile 2
#310 831 1
17x35x2



T.C. Blade Profile 3
#310 831 2
17x35x2



Wedge
#199 804 0
L=19



Allen screw
#193 026 7
M8x16



Allen key
#194 003 6
S4



Ball Bearing
#191 023 0
55x30x13

