

Grooving

Rebating

Profiling

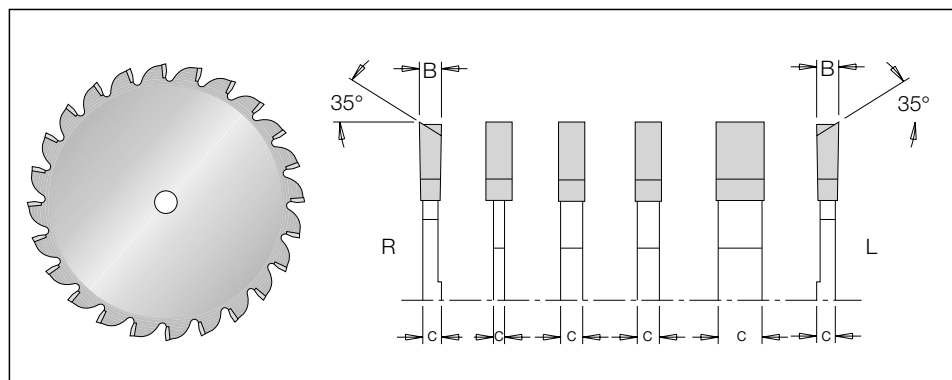
Jointing

Frame & Panel door

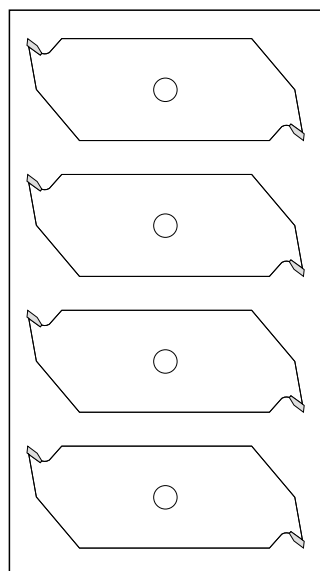
Lamello

Multi Profile system

## Dado Set Grooving Saw Blade Negative Blades 6.3 - 20.7mm



Hand feed



	øD	B	Code No.	Z	c	ød
<b>8" Set</b>						
Complete		6.3-20.7	900 0095 1			
Saw Blade R	200	3.2	909 0630 1	24	2.6	30
Saw Blade L	200	3.2	909 0640 1	24	2.6	30
Chipper 1/16"	200	1.6	900 081 1	2	1.6	30
Chipper 1/8"	200	3.8	900 082 1 (x2)	2	3.2	30
Chipper 1/4"	200	7.0	900 083 1	2	6.3	30
<b>8" Set</b>						
Complete		6.3-20.7	900 0090 1			
Saw Blade R	200	3.2	909 0650 1	46	2.6	30
Saw Blade L	200	3.2	909 0660 1	46	2.6	30
Chipper 1/16"	200	1.6	900 081 1	2	1.6	30
Chipper 1/8"	200	3.8	900 082 1 (x2)	2	3.2	30
Chipper 1/4"	200	7.0	900 083 1	2	6.3	30



A versatile tool which cuts various size grooves from 6.3 up to 20.7 width.  
Negative hook.  
Extra fine cut.

## Spacers For Dado Set



Code No. 192 061 0

It is possible to purchase a set of coloured spacers for Dado Sets.  
A set of spacers for adjusting the thickness in Dado Saws, to obtain perfect joints.

D - 60.0mm, d = 16.0mm

Colour	Thickness	Qty
Gold	0.05mm	4
Yellow	0.10mm	2
Clear	0.25mm	4
White	0.50mm	4

The different colours allow for immediate identification of the thickness of the spacers.