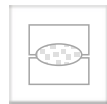
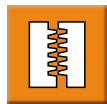
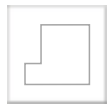
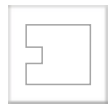


NOVA Cutting



Grooving

Rebating

Profiling

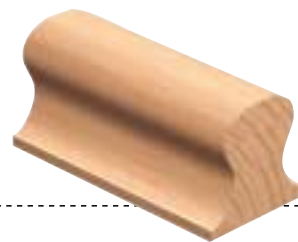
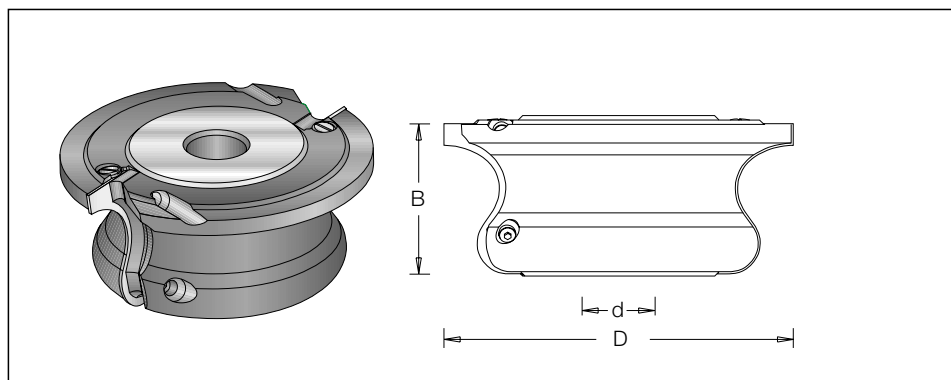
Jointing

Frame & Panel door

Lamello

Multi Profile System

Handrail Cutter



Aluminum



EN847-1
EN847-2



Hand feed

øD	B	Code No.	Profile	ød	n
130	73	752 510 1	A	30	5,800 - 7,700
160	73	752 515 1	B	30	4,700 - 7,200

Spare parts:



T.C. Blade



Wedge

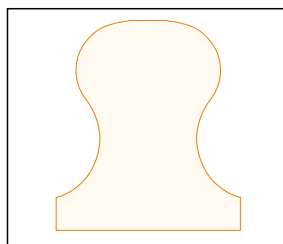


Allen screw

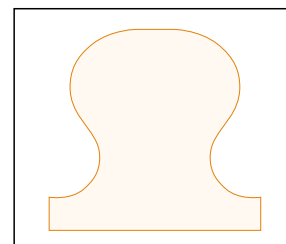


Allen key

Profile A	#310 887 0 69.5x33.5x2	#199 085 0 L=63	#193 026 7 M8x16	#194 003 6 S4
Profile B	#310 887 1 70x34x2	#199 086 0 L=65	#193 026 7 M8x16	#194 003 6 S4

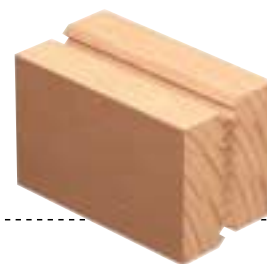
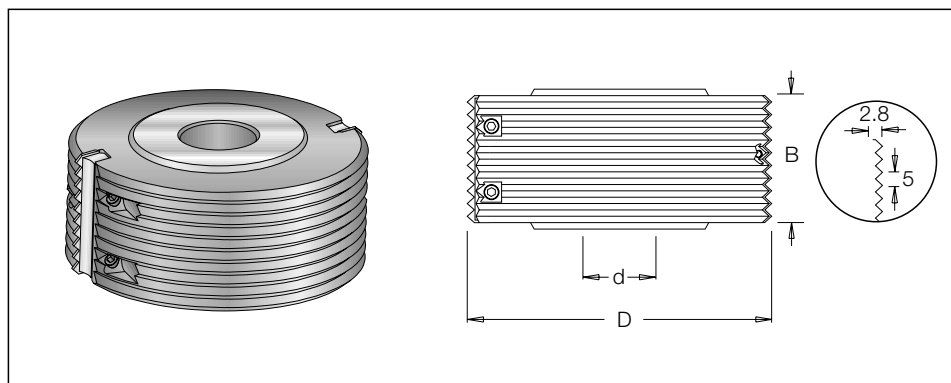


Profile A



Profile B

Glue Joint Cutter



Aluminum



EN847-1
EN847-2



Hand feed

øD	B	Code No.	ød	n
90	50	741 000 1	30	8,500 - 12,000
120	50	741 001 1	30	6,100 - 10,000

Spare parts:



T.C. Blade

#310 850 7
50x12x1.5



Wedge

#199 049 5
L=48



Allen screw

#193 049 5
M6x12

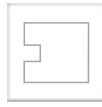


Allen key

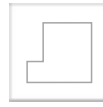
194 003 5
S3



NOVA Cutting



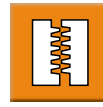
Grooving



Rebating



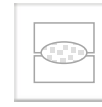
Profiling



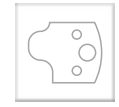
Jointing



Frame & Panel door

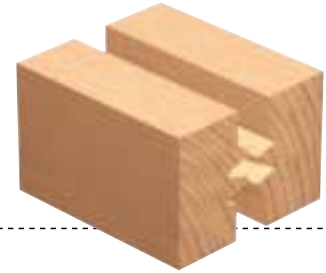
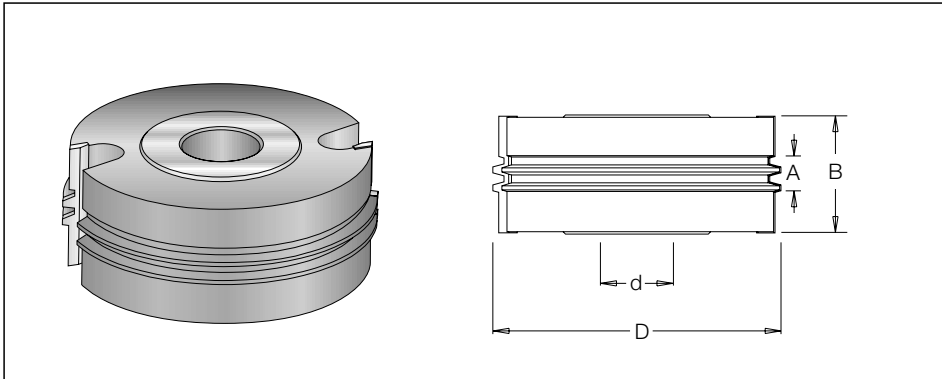


Lamello



Multi Profile system

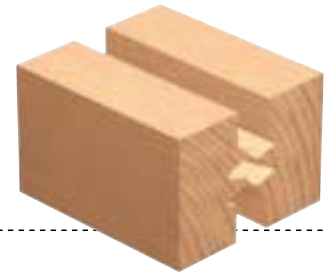
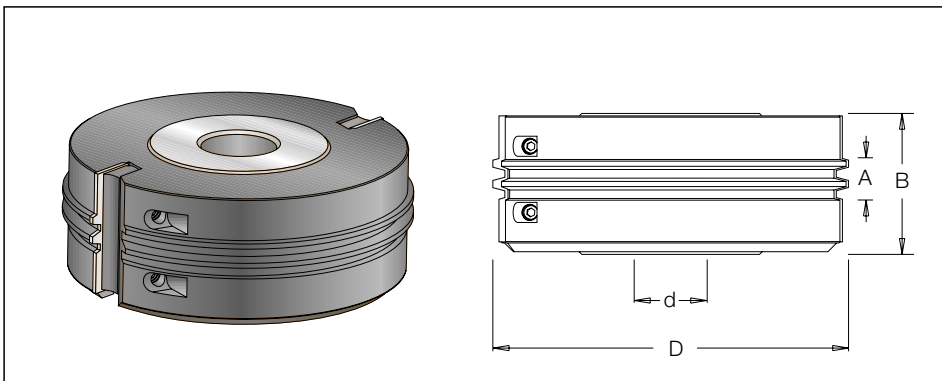
Glue Joint Cutter



Hand feed

øD	B	Code No.	A	ød	n
125	50	710 720 1	15	30	6,100 - 10,500

Glue Joint Cutter



EN847-1
EN847-2



Hand feed

øD	B	Code No.	Profile	A	ød	n
120	60	741 004 1 *	1	7.7	30	6,500 - 9,500
140	50	741 006 1	2	15.4	30	5,400 - 8,800
	60	741 005 1	3	23.0	30	5,400 - 8,800

* Aluminum

Spare parts:



T.C. Blade



Wedge



Allen screw



Allen key

1 Teeth	#310 855 1 60x24x2	#199 037 2 L=58	#193 026 5 M6x16	#194 003 5 S3
2 Teeth	#310 855 2 50x24x2	#199 037 3 L=48	#193 026 5 M6x16	#194 003 5 S3
3 Teeth	#310 850 1 60x24x2	#199 037 2 L=58	#193 026 5 M6x16	#194 003 5 S3

